

AC Motor Selection – Three-phase Motors

(Single-phase motors are shown on page 15-15)

3-Phase Characteristic	IronHorse® 56C Frame 3-Phase	IronHorse® T & TC Frames EPAct & PE	Marathon microMAX™	Marathon Black Max®	Marathon Blue Max®	Marathon NEMA Premium® XRI®	Marathon Blue Chip XRI®
Electrical Characteristics							
Horsepower range	1/3 - 2	PE: 1-200(T); 1-100(TC) EPAct: 1-300(T); 1-100(TC)	1/4 - 10	1/4 - 30	40 - 100	1 - 10	15 - 100
Base speed (# Poles)	1800 (4), 3600 (2)	1200(6), 1800 (4), 3600(2)	1800 (4)	1800 (4) and 1200 (6)	1800 (4)	1200(6),1800(4),3600(2)	1800 (4)
Standard Voltage	208-230/460	208-230/460 (250 & 300 hp 460V only)	230/460 (1/4 hp is 230V only)	230/460 and 575	230/460	208-230/460	230/460 and 575
Insulation Class	F	F	H	F	H	F	F
Insulation System	dip & bake	double dip & bake	CR ²⁰⁰ magnet wire	MAX GUARD®		CR ²⁰⁰ magnet wire	
Service Factor	1.15 (line) 1.0 (drive)	1.15 (line) 1.0 (drive)	1.0	1.0	1.0	1.15 (line) 1.0 (drive)	1.15
Phase/Base Frequency	3/60						
Design Code (NEMA)	B	A: 10-50 hp 4&6-pole EPAct B: all other sizes; all PE	A and B for 1/4 - 2 hp	A	A	B	B
Duty Cycle	Continuous						
Thermal protection	None			Class F thermostats		None	
Mechanical Characteristics							
Frame size (mounting)	56C	143T/TC - 405TC/449T	56C - 215TC	56C - 286TC	324T(C)-405T(C)	56C - 215TC	254T - 405T
Enclosure	TEFC	TEFC	TENV and TEFC	TENV	TEFC and TEBC	TEFC	TEFC
Frame material	Rolled Steel frame; Aluminum end bell	Cast Iron	Rolled Steel	Rolled Steel w Al face; Cast Iron	Cast Iron	Rolled Steel	Cast Iron
End bracket material	Aluminum	Cast Iron	Aluminum	Aluminum, Cast Iron	Cast Iron	Aluminum	Cast Iron
Conduit box material	Steel	Cast Iron	Steel	Steel	Cast Iron	Steel	Steel (<326T) Cast Iron (>364T)
Fan guard material	Steel	Steel	Polypropylene	None (all ratings TENV)	Cast Iron	Plastic	Polyprop. (<286T) Cast Iron (>324T)
Fan material	Plastic	Plastic (143T/TC - 445/7T) Aluminum (449T)	Polypropylene	None (all ratings TENV)	Polypropylene	Plastic	Polypropylene
Lead termination	Conduit box	Conduit box	Conduit box except Terminal block - 1/4 hp	Conduit box	Conduit box	Conduit box	Conduit box
Standard mounting	C-Face with Removable Rigid Base	Rigid Base (C-Flange kit available EPAct) C-Face with Rigid Base (1-100 hp)	C-Face with Rigid Base & C-Face Round Body	C-Face with Rigid Base	C-Face with Rigid Base	C-Face with Rigid Base	Rigid Base
Drive end shaft slinger	Yes	Yes	No	No	Yes	Yes	Yes
Paint	Black	EPAct: Epoxy primer / Synthetic alkyd enamel PE: Polyurethane enamel	Black powder-coat	Black enamel	Blue enamel	Blue enamel	epoxy paint
Bearings	Ball	1-75 hp: Ball 100-300 hp: Roller	Ball (C3 fit)	Ball (C3 fit)	Ball (C3 fit)	Ball	Ball (C3 fit)
Grease	Exxon Polyrex EM						
Standard conduit box assembly position	F1	F1 some sizes reversible to F2	F3	F1, reversible to F2	F1, reversible to F2	F3	F1
Performance Characteristics							
Constant Torque speed range	2:1	2:1 (EPAct) 4:1 (Premium Efficiency)	20:1 (TEFC) 1000:1 (TENV)	1000:1 (TENV)	2000:1 (all enclosures)	10:1	20:1
Variable Torque speed range	5:1	5:1 (EPAct) 10:1 (Premium Efficiency)	-	-	-	10:1	-
Constant Horsepower speed range	1.5:1	1.5:1	2:1	2:1 (90-120Hz intermit- tent @50% duty cycle)	2:1	2:1	2:1
Temperature rise	B	B	B	F	F (TEFC) and B (TEBC)	F	B
Encoder provisions	No	No	No	Yes	Yes	No	No
Other Characteristics							
Agency listings	cCSA _{US}	CE, cCSA _{US} , EPAct	UL Recognized and CSA Certified				
Warranty*	2 years			3 years (through Marathon Electric)			
<p>*See Terms and Conditions for motor warranty explanation.</p> <p>1) For warranty on IronHorse motors below 50 hp, warranty service can be arranged through AutomationDirect.</p> <p>2) For warranty on IronHorse motors 50 hp and above, motors must be inspected by a local EASA motor repair or service center; see AutomationDirect Terms & Conditions.</p> <p>3) Marathon warranty service can be arranged through Marathon Electric service centers. See list of service centers on our web site at www.automationdirect.com.</p>							

Black Max[®] Vector Duty Motors

**** 230/460V and 575V Motors Available ****



Features

- Class F MAX GUARD[®] insulation system
- Constant torque operation from 0 to base speed on vector drive
- Constant horsepower operation to twice base RPM
- Continuous duty at 40° C ambient
- Optimized for operation with IGBT inverter (NEMA Design A)
- Class F N/C thermostats (one per phase)
- Utilizes double shielded ball bearings
- Exxon Polyrex[®] EM bearing grease
- Dual Mounting (C-Face with rigid base and C-Face with removable rigid base, as noted)
- F1 standard conduit box location, field reversible to F2 (except as noted)
- Available with optional encoder installed on opposite drive end
- Electrically reversible
- UL recognized and CSA certified
- Three year warranty

Applications

- Designed for inverter or vector applications where up to a 1000:1 constant torque speed range is required.
- Typical uses include: material handling, machine tools, conveyors, crane and hoist, metal processing, test stands, pumps, compressors, textile processing, and other industrial machinery installed in dusty or dirty environments.

Motor Shipping Schedule

Same or one day *	Up to 7 days	Up to 10 days
-------------------	--------------	---------------

Color indicates shipping lead time in business days. Check stock status online.

* For same-day shipping of stock motors requiring LTL shipment, order before 5 p.m. EST.

230/460V Motor Specifications

Part Number	Price	HP	Base RPM	Volts	Enclosure	NEMA Frame	Model No.	F.L. Amps	Weight (lb)	Footnotes
Y592	<-->	1/4	1800	230/460	TENV	56C	56H17T2001	1.2 / 0.6	19	T, S, 13
Y534	<-->	1/2	1800	230/460	TENV	56C	56H17T5301	1.6 / 0.8	28	T, S, 6, 13
Y535	<-->	1	1800	230/460	TENV	56C	56H17T5302	3.0 / 1.5	41	T, S, 6, 13
Y536	<-->	1	1800	230/460	TENV	143TC	143THTR5326	3.0 / 1.5	43	T, S, 6, 13
Y537	<-->	1	1200	230/460	TENV	145TC	145THTR5376	3.8 / 1.9	49	T, S, 6, 13
Y538	<-->	1-1/2	1800	230/460	TENV	145TC	145THTR5326	4.8 / 2.4	50	T, S, 6, 13
Y551	<-->	2	1800	230/460	TENV	145TC	145THTN6046	6.0 / 3.0	72	T
Y540	<-->	2	1200	230/460	TENV	184TC	184THTL7776	6.6 / 3.3	88	T, AL
Y541	<-->	3	1800	230/460	TENV	182TC	182THTL7726	8.4 / 4.2	96	T, AL
Y542	<-->	3	1200	230/460	TENV	213TC	213THTL7776	9.4 / 4.7	118	T, AL
Y543	<-->	5	1800	230/460	TENV	184TC	184THTL7726	14.0 / 7.0	98	T, AL
Y544	<-->	5	1200	230/460	TENV	215TC	215THTL7776	15.4 / 7.7	138	T, AL
Y545	<-->	7-1/2	1800	230/460	TENV	213TC	213THTL7726	21.0 / 10.5	146	T, AL
Y546	<-->	7-1/2	1200	230/460	TENV	254TC	254THTL5776	22.0 / 11.0	209	T, AL
Y547*	<-->	10	1800	230/460	TENV	215TC	215THTL7726	27.0 / 13.5	159	T, AL
Y548*	<-->	10	1200	230/460	TENV	256TC	256THTL5776	28 / 14	203	T, AL
Y549*	<-->	15	1800	230/460	TENV	254TC	254THTL5726	40 / 20	250	T, AL, I
Y552*	<-->	20	1800	230/460	TENV	256TC	256THTNA7026	52 / 26	300	T, I
Y553*	<-->	25	1800	230/460	TENV	284TC	284THTNA7026	62 / 31	495	T, I
Y393*	<-->	30	1800	230/460	TENV	286TC	286THTNA7026	74 / 37	575	T, I

Footnotes:

T Thermostat overload
 S Steel Frame Construction
 6 Bolt-on, removable base for footless mounting option

Footnotes (continued):

13 F1 Mounting Only, cannot modify to F2
 AL Aluminum Frame Construction
 I Intermittent duty from 90-120 Hz operation

Note: Please review the AutomationDirect Terms & Conditions for warranty and service on his product.

Warranty service can be arranged through numerous Marathon Electric service centers. See list of service centers on our Web site at www.automationdirect.com.

Black Max[®] Vector Duty Motors

Motor Shipping Schedule		
Same or one day	Up to 7 days	Up to 10 days
Color indicates shipping lead time in business days. Check stock status online.		

575V Motor Specifications

Part Number	Price	HP	Base RPM	Volts	Enclosure	NEMA Frame	Model No.	F.L. Amps	Weight (lb)	Footnotes
Y555	<-->	1/2	1800	575	TENV	56C	56H17T5311	0.64	28	T, S, 6, 13
Y556	<-->	1	1800	575	TENV	56C	56H17T5312	1.2	41	T, S, 6, 13
Y557	<-->	2	1800	575	TENV	145TC	145THTN6060	2.4	72	T
Y558	<-->	3	1800	575	TENV	182TC	182THTL7736	3.4	96	T, AL
Y559	<-->	5	1800	575	TENV	184TC	184THTL7736	5.6	98	T, AL
Y560	<-->	7-1/2	1800	575	TENV	213TC	213THTL7736	8.4	146	T, AL
Y561	<-->	10	1800	575	TENV	215TC	215THTL7736	10.8	159	T, AL
Y562	<-->	15	1800	575	TENV	254TC	254THTL5736	16.0	250	T, AL, I
Y563	<-->	20	1800	575	TENV	256TC	256THTNA7036	20.8	300	T, I

Footnotes:

T Thermostat overload
 S Steel Frame Construction
 6 Bolt-on, removable base for footless mounting option

Footnotes (continued):

13 F1 Mounting Only, cannot modify to F2
 AL Aluminum Frame Construction
 I Intermittent duty from 90-120 Hz operation

Note: Please review the AutomationDirect Terms & Conditions for warranty and service on this product.

Warranty service can be arranged through numerous Marathon Electric service centers. See list of service centers on our Web site at www.automationdirect.com.

Motor with Shaft Mounted Encoder*:

A Dynapar Model HS35 shaft mounted encoder can be supplied with the motor as shown in the price table below. The encoder requires a 5-26 VDC power source, provides a count of 1024 pulses per revolution (PPR), differential line driver output and includes a 10-pin mating connector.

* If connecting the motor to a DURAPULSE AC drive, a GS3-FB Feedback Card is required for the drive.

Motor with Shaft Mounted Encoder

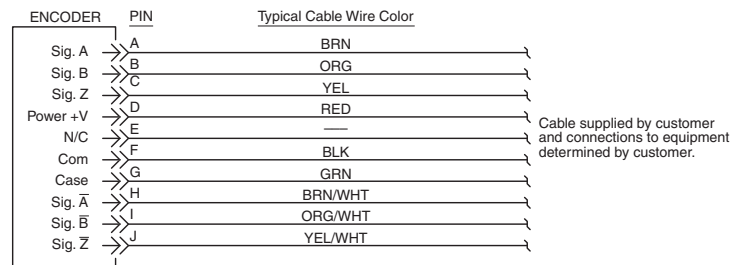
230/460V Motors						575V Motors		
Part Number	Price	HP	Part Number	Price	HP	Part Number	Price	HP
Y592-A772	<-->	1/4	Y543-A772	<-->	5	Y555-A772	<-->	1/2
Y534-A772	<-->	1/2	Y544-A772	<-->	5	Y556-A772	<-->	1
Y535-A772	<-->	1	Y545-A772	<-->	7-1/2	Y557-A772	<-->	2
Y536-A772	<-->	1	Y546-A772	<-->	7-1/2	Y558-A772	<-->	3
Y537-A772	<-->	1	Y547-A772	<-->	10	Y559-A772	<-->	5
Y538-A772	<-->	1-1/2	Y548-A772	<-->	10	Y560-A772	<-->	7-1/2
Y551-A772	<-->	2	Y549-A772	<-->	15	Y561-A772	<-->	10
Y540-A772	<-->	2	Y552-A772	<-->	20	Y562-A772	<-->	15
Y541-A772	<-->	3	Y553-A772	<-->	25	Y563-A772	<-->	20
Y542-A772	<-->	3	Y393-A772	<-->	30			

Note: Please review the AutomationDirect Terms & Conditions for warranty and service on this product.

Warranty service can be arranged through numerous Marathon Electric service centers. See list of service centers on our Web site at www.automationdirect.com.

Encoder connector pinout:

Note: A mating connector is supplied with the encoder.



Black Max[®] Vector Duty Motors

Motor Performance Data (460 Volt) *																
Part Number	HP	F.L. rpm	F.L. Amps @460V	N.L. Amps @460V	F.L. Torque (lb-ft)	B.D. Torque (lb-ft)	Max. C hp rpm *	Max. Safe rpm	F.L. Effic. (%)	F.L. Power Factor	Rotor Inertia (lb-ft ²)	Ohms/Ph - Equiv. Wye Circuit (460 VAC) (at rated operating temp. in 40° C ambient)				
												R1	R2	X1	X2	XM
Y592	1/4	1755	0.6	0.45	0.75	4.5	3540	5400	70.0	58.0	0.045	26.300	23.000	30.240	14.700	572.000
Y534	1/2	1735	0.8	0.52	1.5	5.8	3510	5400	80.0	72.0	0.056	22.307	17.028	24.123	18.163	532.976
Y535	1	1750	1.5	1.0	3.0	15.0	3505	5400	84.0	75.0	0.110	8.378	5.623	10.707	9.912	278.036
Y536	1	1750	1.5	1.0	3.0	15.0	3505	5400	84.0	75.0	0.110	8.378	5.623	10.707	9.912	278.036
Y537	1	1145	1.9	1.3	4.5	16.0	2260	5400	80.0	62.5	0.140	10.302	8.372	13.793	15.325	193.835
Y538	1-1/2	1755	2.4	1.6	4.5	29.0	3518	5400	85.5	69.0	0.140	4.257	3.538	5.998	5.884	161.009
Y551	2	1750	3.0	1.7	6.0	28.5	3525	5400	85.5	78.0	0.130	3.834	2.897	5.950	5.637	154.800
Y540	2	1160	3.3	2.1	9.0	34.0	2315	5400	82.5	67.5	0.380	3.948	3.436	7.725	12.113	116.900
Y541	3	1755	4.2	2.2	9.0	48.0	3515	4200	85.5	80.0	0.420	2.356	1.731	4.266	4.304	123.930
Y542	3	1158	4.7	3.0	13.6	49.0	2300	4200	82.5	72.5	0.600	2.469	2.318	6.508	4.125	83.910
Y543	5	1765	7.0	4.2	14.8	70.0	3555	4200	89.5	74.5	0.550	1.242	0.947	2.534	4.236	64.128
Y544	5	1165	7.7	4.8	22.5	87.0	2320	4200	84.0	71.0	0.900	1.130	1.250	3.709	2.573	51.972
Y545	7-1/2	1765	10.5	5.5	22.3	95.5	3525	4200	90.2	76.0	0.850	0.699	0.567	1.765	2.260	38.178
Y546	7-1/2	1170	11.0	6.0	34.0	118.0	2325	4200	87.5	73.0	1.200	0.510	0.680	2.846	3.247	42.714
Y547	10	1774	13.5	7.4	29.5	125.0	3540	4200	90.2	76.0	1.300	0.369	0.334	1.423	2.281	34.932
Y548	10	1160	14	7.0	45.5	135.0	2320	4200	89.5	75.5	1.500	0.534	0.693	2.258	2.323	30.530
Y549	15	1765	20	11.0	45.0	170.0	3550	3600	92.4	76.0	1.600	0.134	0.316	1.047	1.569	22.151
Y552	20	1768	26	13.5	59.5	290.0	3560	3600	93.6	80.0	3.100	0.234	0.213	0.746	0.689	18.204
Y553	25	1770	31	14.0	74.2	330.0	3530	3600	93.6	75.0	4.400	0.143	0.160	0.724	0.678	13.965
Y393	30	1772	37	23.5	89.0	375.0	3560	3600	94.5	74.0	5.500	0.113	0.123	0.543	0.557	11.200

* Maximum Constant hp rpm is for direct coupled loads.

Motor Performance Data (575 Volt) *																
Part Number	HP	F.L. rpm	F.L. Amps @575V	N.L. Amps @575V	F.L. Torque (lb-ft)	B.D. Torque (lb-ft)	Max. C hp rpm *	Max. Safe rpm	F.L. Effic. (%)	F.L. Power Factor	Rotor Inertia (lb-ft ²)	Ohms/Ph - Equiv. Wye Circuit (575 VAC) (at rated operating temp. in 40° C ambient)				
												R1	R2	X1	X2	XM
Y555	1/2	1735	0.8	0.8	1.52	5.8	3510	5400	80.0	72	0.056	22.307	17.028	24.123	18.163	532.976
Y556	1	1750	1.6	0.8	3.0	15.0	3505	5400	84.0	75	0.11	8.378	5.623	10.707	9.912	278.036
Y557	2	1750	2.4	1.6	6.0	28.5	3525	5400	85.5	78	0.13	3.834	2.897	5.950	5.637	154.780
Y558	3	1755	3.2	1.6	9.0	48.0	3515	4200	85.5	80	0.42	2.356	1.731	4.266	4.304	123.926
Y559	5	1765	5.6	3.2	14.9	70.0	3555	4200	89.5	74.5	0.52	1.242	1.134	2.268	3.969	64.071
Y560	7-1/2	1765	8.0	4.8	22.3	95.5	3525	4200	90.2	76	0.9	0.699	0.567	1.765	2.260	38.178
Y561	10	1774	11.2	5.6	29.6	125.0	3540	4200	90.2	76	1.3	0.284	0.284	1.420	2.272	34.932
Y562	15	1765	16.0	8.8	44.6	170.0	3550	3600	92.4	76	1.6	0.314	0.316	1.047	1.569	22.151
Y563	20	1770	20.8	11.2	59.5	290.0	3560	3600	93.6	77	3.5	0.220	0.192	0.675	0.684	18.204

* Maximum Constant hp rpm is for direct coupled loads.

Black Max[®] Vector Duty Motors

Motor Dimensions

Company Information

Systems Overview

Programmable Controllers

Field I/O

Software

C-more & other HMI

Drives

Soft Starters

Motors & Gearbox

Steppers/ Servos

Motor Controls

Proximity Sensors

Photo Sensors

Limit Switches

Encoders

Current Sensors

Pressure Sensors

Temperature Sensors

Pushbuttons/ Lights

Process

Relays/ Timers

Comm.

Terminal Blocks & Wiring

Power

Circuit Protection

Enclosures

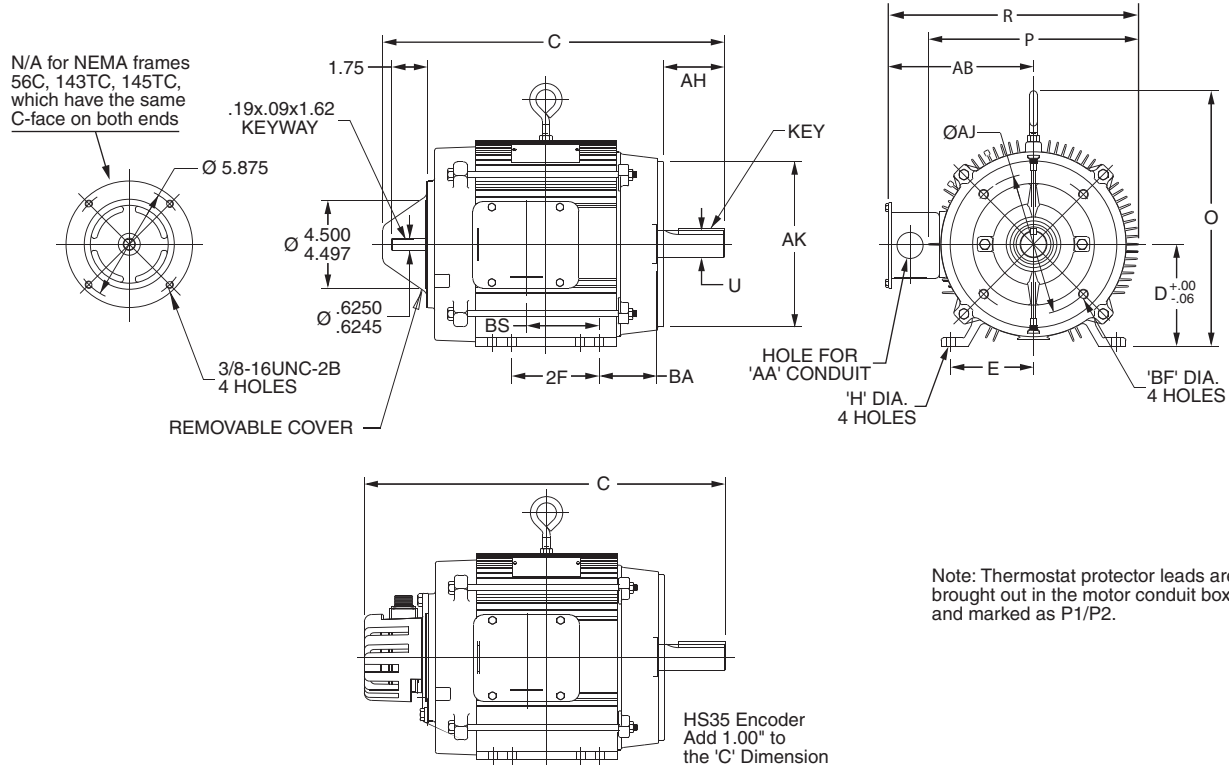
Tools

Pneumatics

Appendix

Product Index

Part # Index



Note: Thermostat protector leads are brought out in the motor conduit box and marked as P1/P2.

Motor Dimensions [Inches]

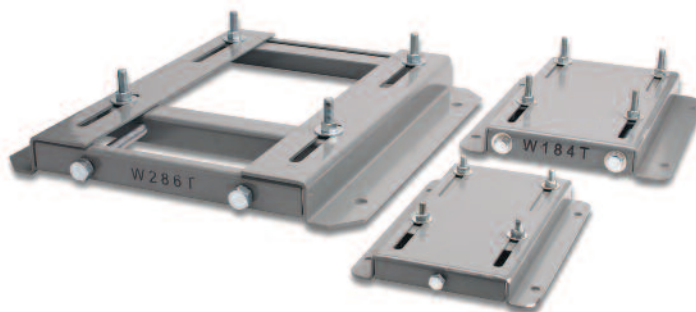
Part #	HP	NEMA Frame	Frame Construct	C	D	E	2F	H	O	P	R	U	AA	AB	AH	AJ	AK Max	BA	BF	BS	Key
Y592	-	1/4	Rolled Steel	11.88	3.50	3.00	4.00	.35	6.71	6.42	7.21	.625	None	4.37	2.06	5.875	4.500	2.75	3/8-16	4.93	.19x.19x1.38
Y534	Y555	1/2		13.48																	
Y535	Y556	1		14.98																	
Y536	-	1		15.04																	
Y537	-	1		16.04																	
Y538	-	1-1/2		16.04																	
Y551	Y557	2	Cast Iron	14.68	3.50	3.00	4.00	.37	7.45	7.98	11.03	.875	None	5.25	2.12	5.875	4.50	2.62	3.81	3.81	
Y540	-	2		16.94																	
Y541	Y558	3	Aluminum	17.39	4.50	3.75	4.50	.44	11.22	9.74	12.07	1.125	1.09	7.19	2.62	7.25	8.500	4.25	1/2-13	2.75	.25x.25x1.75
Y542	-	3		19.04																	
Y543	Y559	5		18.94																	
Y544	-	5		20.54																	
Y545	Y560	7-1/2		20.54																	
Y546	-	7-1/2		25.37																	
Y547	Y561	10		23.04																	
Y548	-	10		26.87																	
Y549	Y562	15		26.87																	
Y552	Y563	20		27.13																	
Y553	-	25	Cast Iron	27.08	7.00	5.50	9.50	.56	16.49	14.32	17.84	1.25	10.68	3.75	9.0	10.500	3/8-16	4.75	4.75	.50x.50x3.25	
Y393	-	30		28.58																	

Note: Dimensions are for reference only. For complete dimensional information, refer to Marathon Electric at www.marathonelectric.com.

STABLE™ Motor Slide Bases

Mounting Slide Bases for 56 to 449T NEMA Motors

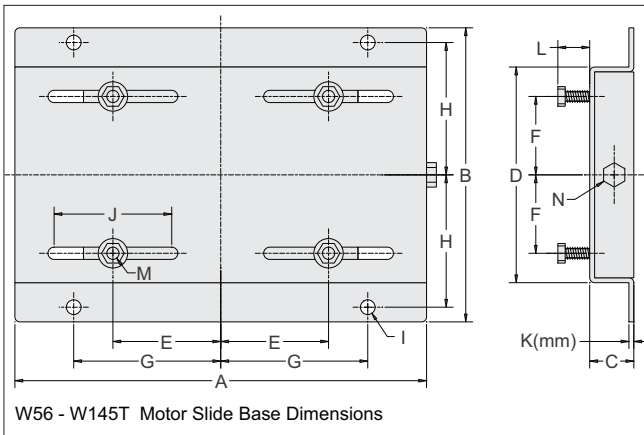
- Allows adjustment of motor mounting position
- Double adjusting screws for frames 182T - 449T
- Manufactured to precise dimensional standards
- Dimensionally interchangeable with existing major makes
- Heavy-duty steel construction
- Painted with oven-baked primer for better adhesion of customer's paint
- All "D" bolts (motor mounting bolts) are fixed to the exact motor foot pattern
- All "D" bolts are welded into position to prevent spinning and dropping from slots
- Bases are provided with washers



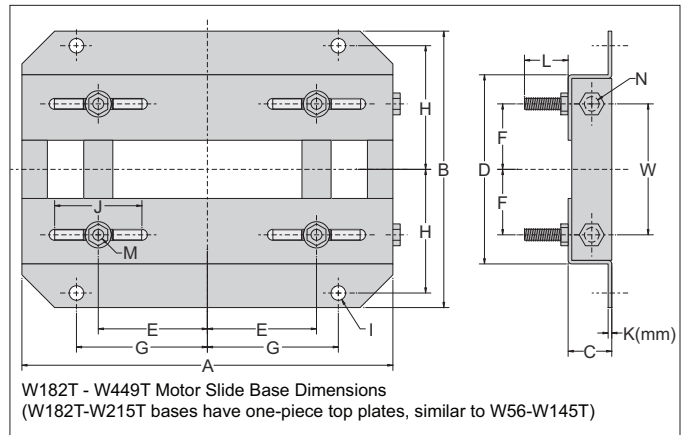
Motor Slide Bases											
Part Number	Price	Fits Frame Type	Shipping Weight (lb)	Fits Motor							
				IronHorse	Marathon micro-MAX	Marathon Black Max 230/460V	Marathon Black Max 575V	Marathon Blue Max	Marathon NEMA Premium XRI	Marathon Blue Chip XRI 230/460V	Marathon Blue Chip XRI 575V
MTA-BASE-W56	<-->	56	3.5	MTR-xxx-xxxx MTPM-xxx-xxxx	Y500 Y360 Y364	Y592(-A772) Y534(-A772) Y535(-A772)	Y555(-A772) Y556(-A772)	-	E2000	-	-
MTA-BASE-W143T	<-->	143T/TC	5.0	MTC-001-3BD18(CK) MTC-1P5-3BD36	-	Y536(-A772)	-	-	E2001 E2003	-	-
MTA-BASE-W145T	<-->	145T/TC	5.6	MTC-001-3BD12 MTC-1P5-3BD18(CK) MTC-002-3BD18(CK) MTC-002-3BD36	Y368	Y537(-A772) Y538(-A772) Y551(-A772)	Y557(-A772)	-	E2002 E2004 E2006 E2007	-	-
MTA-BASE-W182T	<-->	182T/TC	10	MTC-1P5-3BD12 MTC-003-3BD18(CK) MTC-003-3BD36	Y999	Y541(-A772)	Y558(-A772)	-	E2005 E2009 E2010	-	-
MTA-BASE-W184T	<-->	184T/TC	10	MTC-002-3BD12 MTC-005-3BD18(CK) MTC-005-3BD36	Y372	Y540(-A772) Y543(-A772)	Y559(-A772)	-	E2008 E2012 E2013	-	-
MTA-BASE-W213T	<-->	213T/TC	15	MTC-003-3BD12 MTC-7P5-3BD18(CK) MTC-7P5-3BD36	Y994	Y542(-A772) Y545(-A772)	Y560(-A772)	-	E2011 E2015 E2016	-	-
MTA-BASE-W215T	<-->	215T/TC	16	MTC-005-3BD12 MTC-010-3BD18(CK) MTC-010-3BD36	Y996	Y544(-A772) Y547(-A772)	Y561(-A772)	-	E2014 E2018 E2019	-	-
MTA-BASE-W254T	<-->	254T/TC	20	MTC-7P5-3BD12 MTC-015-3BD18(CK)	-	Y546(-A772) Y549(-A772)	Y562(-A772)	-	-	E205	E307
MTA-BASE-W256T	<-->	256T/TC	21	MTC-010-3BD12 MTC-020-3BD18(CK)	-	Y548(-A772) Y552(-A772)	Y563(-A772)	-	-	E206	E308
MTA-BASE-W284T	<-->	284T/TC	23	MTC-025-3BD18(CK)	-	Y553(-A772)	-	-	-	E207	E309
MTA-BASE-W286T	<-->	286T/TC	24	MTC-030-3BD18(CK)	-	Y393(-A772)	-	-	-	E208	E310
MTA-BASE-W324T	<-->	324T/TC	33	MTC-040-3BD18(CK)	-	-	-	Y571(-A774) Y513(-A775)	-	E209	E311
MTA-BASE-W326T	<-->	326T/TC	35	MTC-050-3BD18(CK)	-	-	-	Y572(-A774) Y514(-A775)	-	E210	E312
MTA-BASE-W364T	<-->	364T/TC	46	MTC-060-3BD18(CK)	-	-	-	Y573(-A774) Y515(-A775)	-	E211	E313
MTA-BASE-W365T	<-->	365T/TC	47	MTC-075-3BD18(CK)	-	-	-	Y574(-A774) Y516(-A775)	-	E212	E315
MTA-BASE-W404T	<-->	404T/TC	64	-	-	-	-	-	-	-	-
MTA-BASE-W405T	<-->	405T/TC	65	MTC-100-3BD18(CK)	-	-	-	Y575(-A774) Y517(-A775)	-	E213	E314
MTA-BASE-W444T	<-->	444T	69	MTC-125-3BD18	-	-	-	-	-	-	-
MTA-BASE-W445T	<-->	445T	70	MTC-150-3BD18	-	-	-	-	-	-	-
MTA-BASE-W447T	<-->	445/7T 447T	92	MTC-200-3BD18	-	-	-	-	-	-	-
MTA-BASE-W449T	<-->	449T	98	MTC-250-3D18 MTC-300-3D18	-	-	-	-	-	-	-

STABLE Motor Slide Bases

Dimensions – Mounting Slide Bases for NEMA Motors



W56 - W145T Motor Slide Base Dimensions


 W182T - W449T Motor Slide Base Dimensions
(W182T-W215T bases have one-piece top plates, similar to W56-W145T)

Dimensions [inches, except as noted] - STABLE Motor Slide Bases

MTA-BASE-Wxxxx	A	B	C	D	E	F	G	H	I	J	K(mm)	L	M	N	W
56	10-5/8	6-1/2	1-1/8	4-1/2	2-7/16	1-1/2	3-13/16	2-7/8	3/8	3	2 mm	7/8	5/16 x 1	3/8 x 4	n/a
143T	10-1/2	7-1/2	1-1/8	5-1/2	2-3/4	2	3-3/4	3-3/8	3/8	3	3 mm	13/16	5/16 x 1	3/8 x 4	n/a
145T	10-1/2	8-1/2	1-1/8	6-1/2	2-3/4	2-1/2	3-3/4	3-7/8	3/8	3	3 mm	13/16	5/16 x 1	3/8 x 4	n/a
182T	12-3/4	9-1/2	1-1/2	6-1/2	3-3/4	2-1/4	4-1/2	4-1/4	1/2	3	3.5 mm	1-1/2	3/8 x 1-3/4	1/2 x 6	4-1/2
184T	12-3/4	10-1/2	1-1/2	7-1/2	3-3/4	2-3/4	4-1/2	4-3/4	1/2	3	3.5 mm	1-1/2	3/8 x 1-3/4	1/2 x 6	5-1/2
213T	15	11	1-3/4	7-1/2	4-1/4	2-3/4	5-1/4	4-3/4	1/2	3-1/2	3.8 mm	1-1/2	3/8 x 1-3/4	1/2 x 6	5-1/2
215T	15	12-1/2	1-3/4	9	4-1/4	3-1/2	5-1/4	5-1/2	1/2	3-1/2	3.8 mm	1-1/2	3/8 x 1-3/4	1/2 x 6	7
254T	17-3/4	15-1/8	2	10-3/4	5	4-1/8	6-1/4	6-5/8	5/8	4	4.6 mm	1-7/16	1/2 x 1-3/4	5/8 x 6	5-5/16
256T	17-3/4	16-7/8	2	12-1/2	5	5	6-1/4	7-1/2	5/8	4	4.6 mm	1-7/16	1/2 x 1-3/4	5/8 x 6	7
284T	19-3/4	16-7/8	2	12-1/2	5-1/2	4-3/4	7	7-1/2	5/8	4-1/2	4.6 mm	1-11/16	1/2 x 2	5/8 x 6	7
286T	19-3/4	18-3/8	2	14	5-1/2	5-1/2	7	8-1/4	5/8	4-1/2	4.6 mm	1-11/16	1/2 x 2	5/8 x 6	8
324T	22-3/4	19-1/4	2-1/2	14	6-1/4	5-1/4	8	8-1/2	3/4	5-1/4	4.6 mm	2-3/16	5/8 x 2-1/2	3/4 x 9	7
326T	22-3/4	20-3/4	2-1/2	15-1/2	6-1/4	6	8	9-1/4	3/4	5-1/4	4.6 mm	2-3/16	5/8 x 2-1/2	3/4 x 9	8-1/2
364T	25-1/2	20-1/2	2-1/2	15-1/2	7	5-5/8	9	9-1/8	3/4	6	5.8 mm	2-1/16	5/8 x 2-1/2	3/4 x 9	7-3/4
365T	25-1/2	21-1/2	2-1/2	16-1/2	7	6-1/8	9	9-5/8	3/4	6	5.8 mm	2-1/16	5/8 x 2-1/2	3/4 x 9	8-3/4
404T	28-3/4	22-3/8	3	16-1/2	8	6-1/8	10	9-7/8	7/8	7	5.8 mm	2-1/2	3/4 x 3	3/4 x 11	8-3/4
405T	28-3/4	23-7/8	3	18	8	6-7/8	10	10-5/8	7/8	7	5.8 mm	2-1/2	3/4 x 3	3/4 x 11	10-1/4
444T	31-1/4	24-5/8	3	19-1/4	9	7-1/4	11	11	7/8	7-1/2	5.8 mm	2-1/2	3/4 x 3	3/4 x 11	11
445T	31-1/4	26-5/8	3	21-1/4	9	8-1/4	11	12	7/8	7-1/2	5.8 mm	2-1/2	3/4 x 3	3/4 x 11	13
447T	31-1/4	30-1/8	3	24-3/4	9	10	11	13-3/4	7/8	7-1/2	8 mm	3	3/4 x 3-1/2	3/4 x 11	16-1/2
449T	31-1/4	35-1/8	3	29-3/4	9	12-1/2	11	16-1/4	7/8	7-1/2	8 mm	3	3/4 x 3-1/2	3/4 x 11	21-1/2