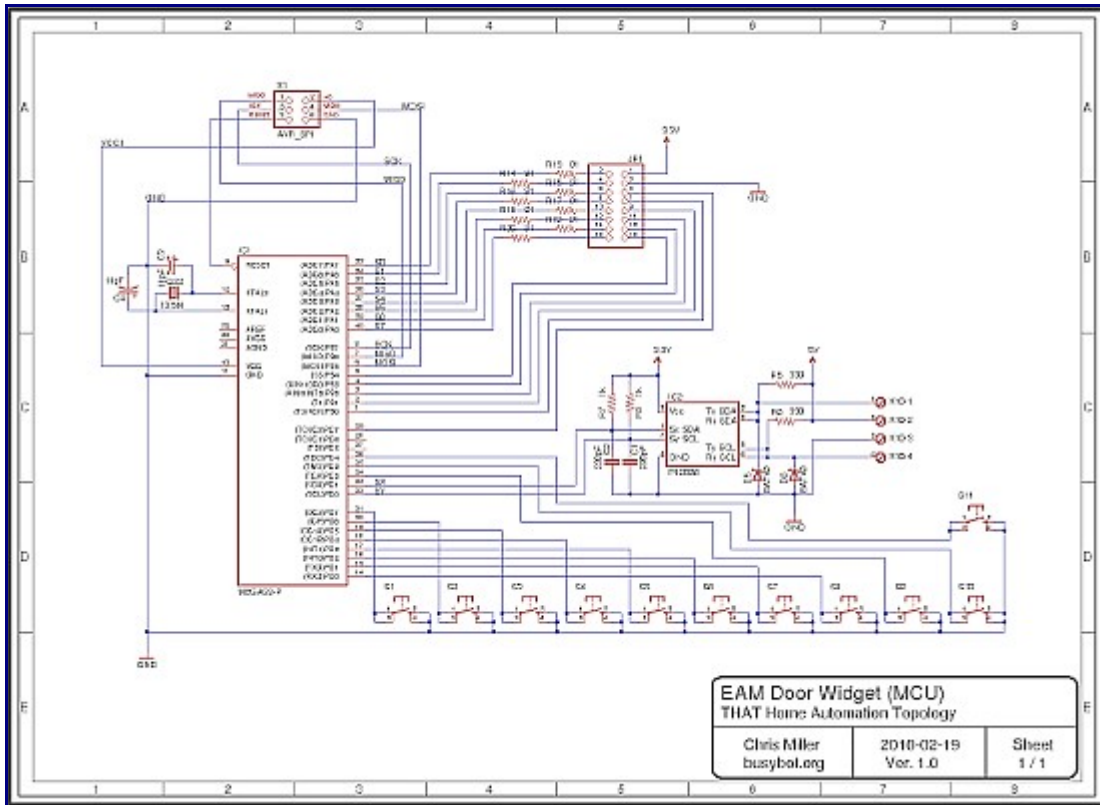


## Door Widget MCU Schematic v1.0

2010-05-12 15:05:26 by Chris

The most recent schematic for the microcontroller portion of the Door Widget is shown in Figure 1. This schematic was created in CadSoft's EAGLE.



### Notes:

- IC1 is an Atmel AVR ATmega234P microcontroller.
- IC2 is the NXP P82B96 I2C Bus Extender.
- X1 is the 6-pin Atmel In-System Programming (ISP) header.
- JP1 connects to the Door Widget display.
- S1 through S11 are the doorbell and passcode entry switches.